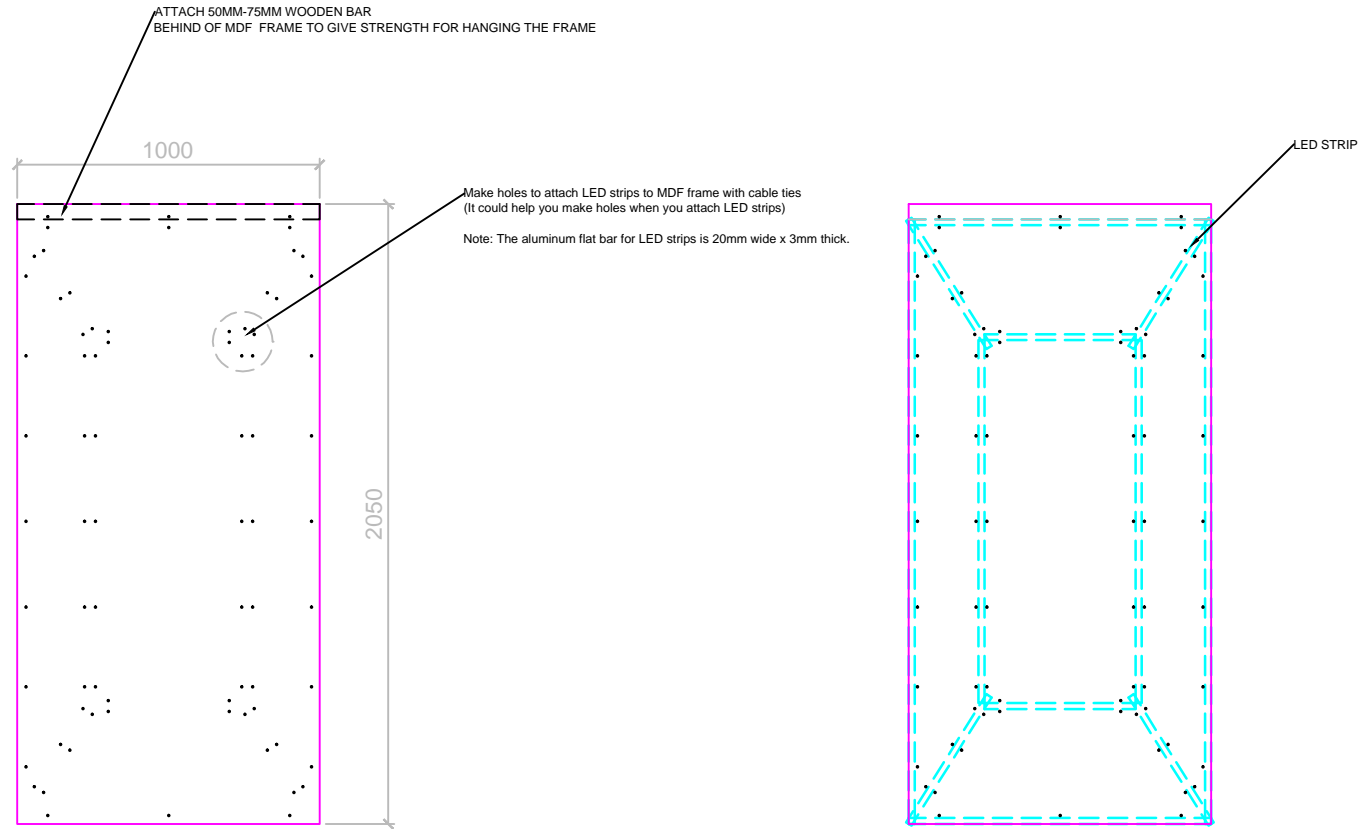


Vision Sunday 2015_CAMPUS FRAME		
	2440 x 1220 MDF QTY.	50 -75mm Wooden bar
NOOSA	3	4
COOMERA	4	5
BURLEIGH	3	5
MELB_CITY	6	7
MELB_WEST	4	5
MELB_EAST	2	4



FRAME OPTION 1

SCALE 1:25 @ A4



SIMPLE MDF

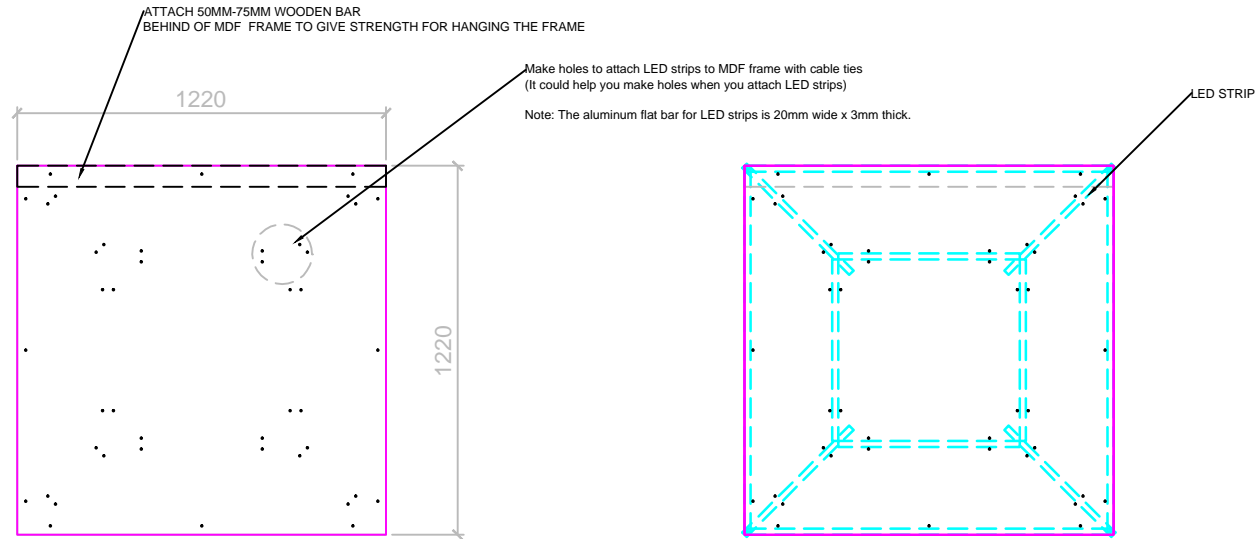
THIS DRAWINGS IS THE PROPERTY OF HILLSONG CHURCH.
COPYRIGHT IS RESERVED AND THE DRAWING IS ISSUED ON
THE CONDITION THAT IT IS NOT USED, COPIED,
REPRODUCED, RETAINED OR DISCLOSED EITHER WHOLLY
OR IN PART, WITHOUT THE PREVIOUS CONSENT IN WRITING.
DO NOT SCALE FROM THIS DRAWING.
WRITTEN DIMENSIONS SHALL HAVE PRECEDENCE OVER
SCALED DIMENSIONS. ALL INFORMATION CONTAINED IN THIS
DRAWING TO BE CHECKED PRIOR TO COMMENCING WORK.
IF IN DOUBT, ASK

PROJECT: HILLSONG VISION SUNDAY 2015					DESIGN: NT/CREATIVE TECHNOLOGY	ADDRESS:		NOTE/LEGEND:
TITLE: CAMPUS FRAME PLAN_OPTION1					DRAWN BY: JU/CREATIVE TECHNOLOGY	TEL:		
JOB NO:					CD:	WEBSITE:		
DATE: 21-JAN-2015	VER/REVISION: V1	SCALE: SEE NOTE 1:25	PAPER SIZE: A4	TD:	E-MAIL:			



FRAME OPTION 1

SCALE 1:25 @ A4



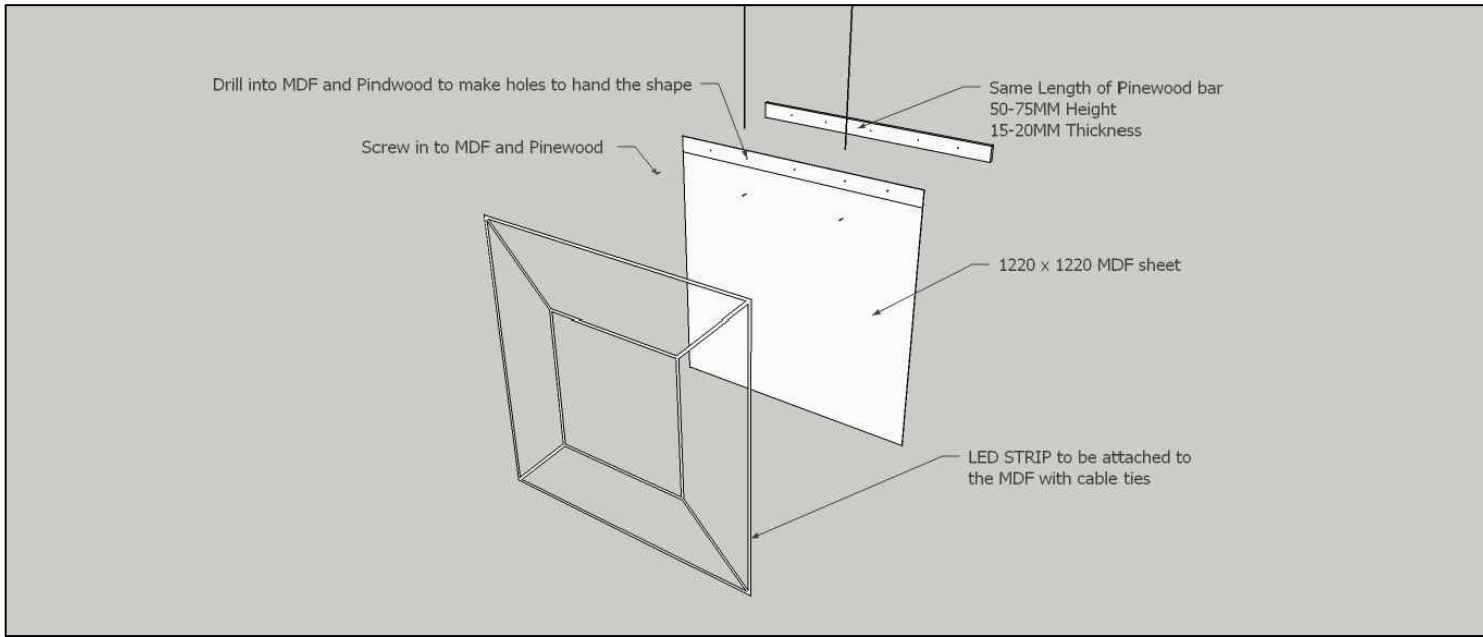
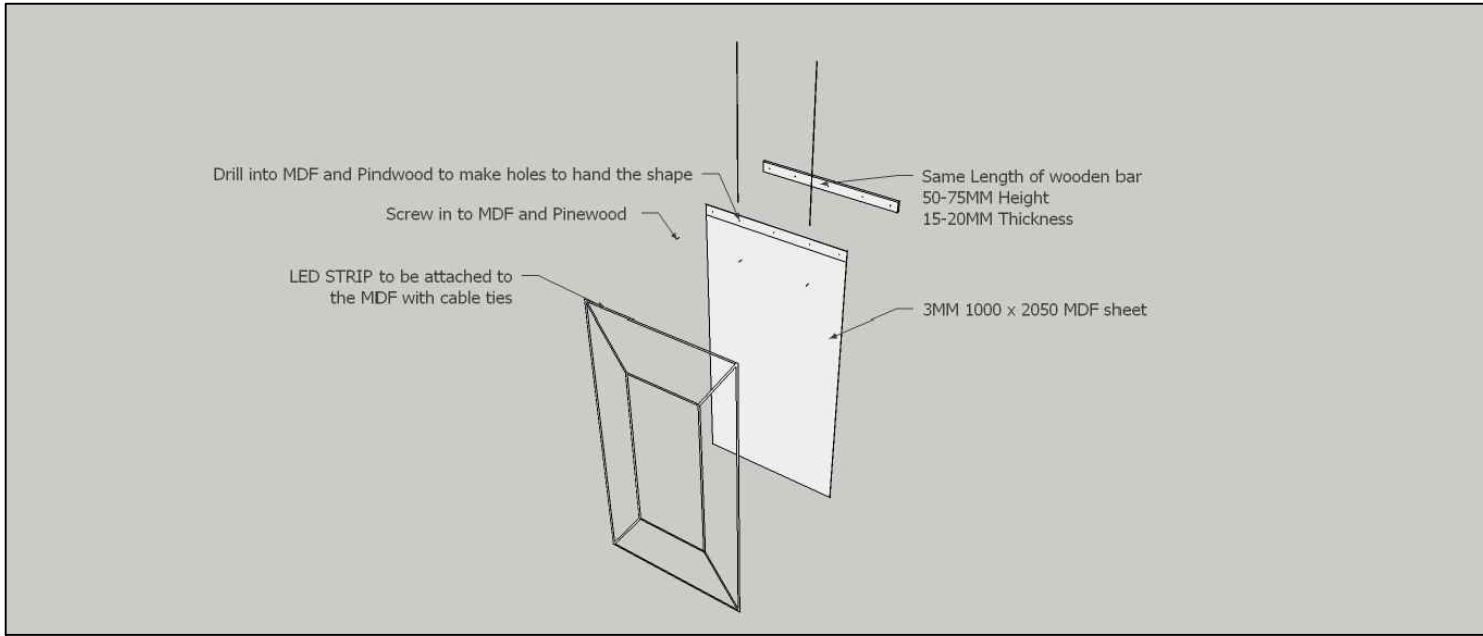
SIMPLE MDF

THIS DRAWINGS IS THE PROPERTY OF HILLSONG CHURCH.
 COPYRIGHT IS RESERVED AND THE DRAWING IS ISSUED ON
 THE CONDITION THAT IT IS NOT USED, COPIED,
 REPRODUCED, RETAINED OR DISCLOSED EITHER WHOLLY
 OR IN PART, WITHOUT THE PREVIOUS CONSENT IN WRITING.
DO NOT SCALE FROM THIS DRAWING.
 WRITTEN DIMENSIONS SHALL HAVE PRECEDENCE OVER
 SCALED DIMENSIONS. ALL INFORMATION CONTAINED IN THIS
 DRAWING TO BE CHECKED PRIOR TO COMMENCING WORK.
IF IN DOUBT, ASK

PROJECT: HILLSONG VISION SUNDAY 2015					DESIGN: NT/CREATIVE TECHNOLOGY		ADDRESS:		NOTE/LEGEND:
TITLE: CAMPUS FRAME PLAN_OPTION1					DRAWN BY: JL/CREATIVE TECHNOLOGY		TEL:		
JOB NO.:					CD:		WEBSITE:		
DATE: 21-JAN-2015					TD:		E-MAIL:		
VER/REVISION: V1					SCALE: SEE NOTE 1:25		PAPER SIZE: A4		

FRAME OPTION 1

SCALE 1:25 @ A4



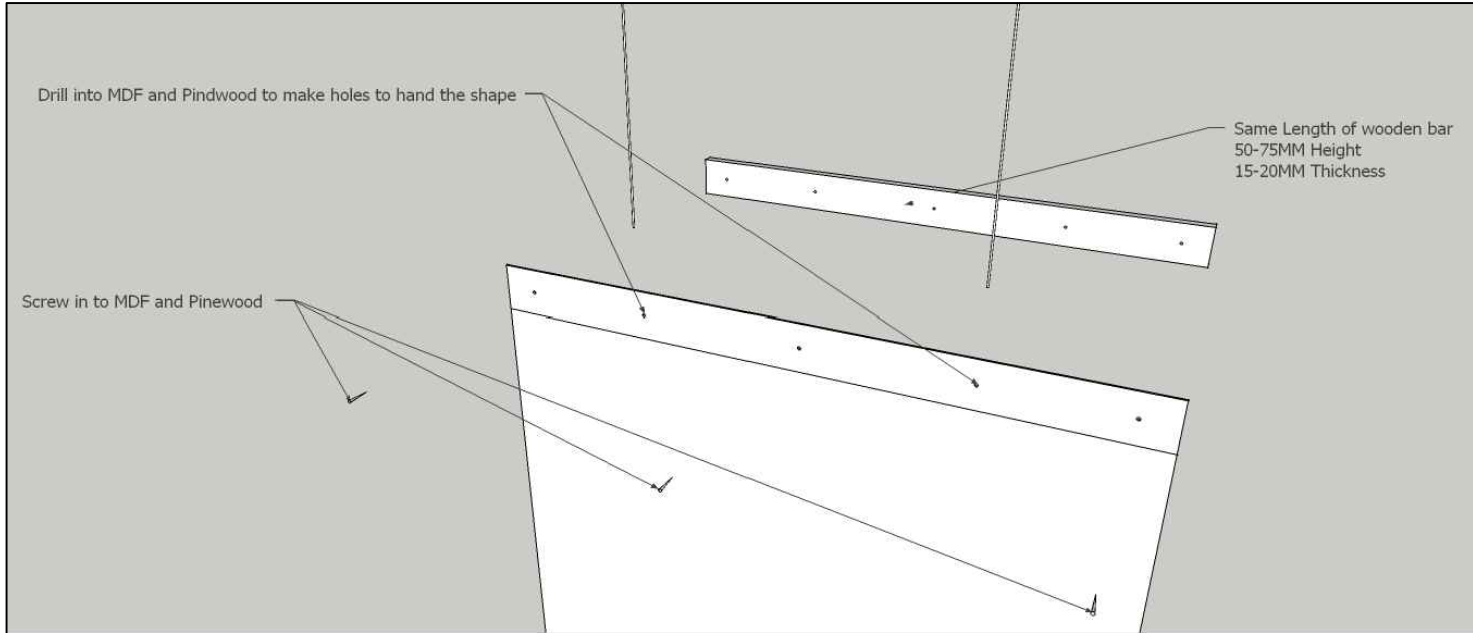
SIMPLE MDF

THIS DRAWINGS IS THE PROPERTY OF HILLSONG CHURCH. COPYRIGHT IS RESERVED AND THE DRAWING IS ISSUED ON THE CONDITION THAT IT IS NOT USED, COPIED, REPRODUCED, RETAINED OR DISCLOSED EITHER WHOLLY OR IN PART, WITHOUT THE PREVIOUS CONSENT IN WRITING. DO NOT SCALE FROM THIS DRAWING. WRITTEN DIMENSIONS SHALL HAVE PRECEDENCE OVER SCALED DIMENSIONS. ALL INFORMATION CONTAINED IN THIS DRAWING TO BE CHECKED PRIOR TO COMMENCING WORK. IF IN DOUBT, ASK

PROJECT: HILLSONG VISION SUNDAY 2015					DESIGN: NT/CREATIVE TECHNOLOGY		ADDRESS:		NOTE/LEGEND:
TITLE: CAMPUS FRAME PLAN_OPTION1					DRAWN BY: JU/CREATIVE TECHNOLOGY		TEL:		
JOB NO :					CD:		WEBSITE:		
DATE: 21-JAN-2015					TD:		E-MAIL:		
VER/REVISION: V1	SCALE: SEE NOTE 1:25	PAPER SIZE: A4							

FRAME OPTION 1

SCALE 1:25 @ A4



SIMPLE MDF

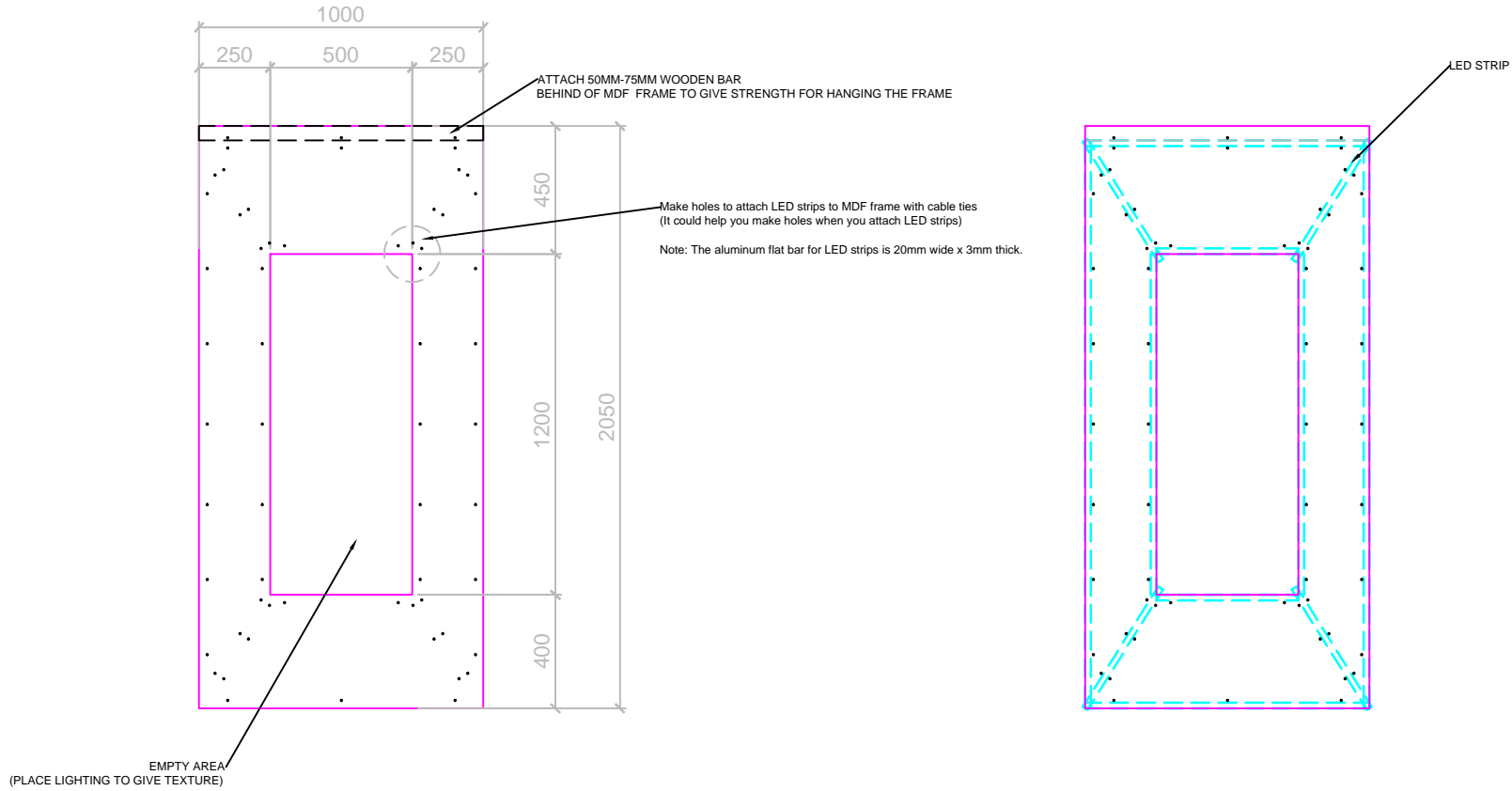
THIS DRAWINGS IS THE PROPERTY OF HILLSONG CHURCH. COPYRIGHT IS RESERVED AND THE DRAWING IS ISSUED ON THE CONDITION THAT IT IS NOT USED, COPIED, REPRODUCED, RETAINED OR DISCLOSED EITHER WHOLLY OR IN PART, WITHOUT THE PREVIOUS CONSENT IN WRITING. DO NOT SCALE FROM THIS DRAWING. WRITTEN DIMENSIONS SHALL HAVE PRECEDENCE OVER SCALED DIMENSIONS. ALL INFORMATION CONTAINED IN THIS DRAWING TO BE CHECKED PRIOR TO COMMENCING WORK. IF IN DOUBT, ASK

PROJECT: HILLSONG VISION SUNDAY 2015					DESIGN: NT/CREATIVE TECHNOLOGY		ADDRESS:	NOTE/LEGEND:
TITLE: CAMPUS FRAME PLAN_OPTION1					DRAWN BY: JL/CREATIVE TECHNOLOGY		TEL:	
JOB NO :					CD:		WEBSITE:	
DATE: 21-JAN-2015	VER/REVISION : V1	SCALE : SEE NOTE 1:25	PAPER SIZE: A4	TD:		E-MAIL:		



FRAME OPTION 2

SCALE 1:25 @ A4



MDF CUT OUT

THIS DRAWING IS THE PROPERTY OF HILLSONG CHURCH. COPYRIGHT IS RESERVED AND THE DRAWING IS ISSUED ON THE CONDITION THAT IT IS NOT USED, COPIED, REPRODUCED, RETAINED OR DISCLOSED EITHER WHOLLY OR IN PART, WITHOUT THE PREVIOUS CONSENT IN WRITING. DO NOT SCALE FROM THIS DRAWING. WRITTEN DIMENSIONS SHALL HAVE PRECEDENCE OVER SCALED DIMENSIONS. ALL INFORMATION CONTAINED IN THIS DRAWING TO BE CHECKED PRIOR TO COMMENCING WORK. IF IN DOUBT, ASK

PROJECT: HILLSONG VISION SUNDAY 2015				
TITLE: CAMPUS FRAME PLAN_OPTION2				
JOB NO:	DATE: 21-JAN-2015	VER/REVISION: V1	SCALE: SEE NOTE 1:25	PAPER SIZE: A4

DESIGN: NT/CREATIVE TECHNOLOGY	
DRAWN BY: JL/CREATIVE TECHNOLOGY	
CD:	
TD:	

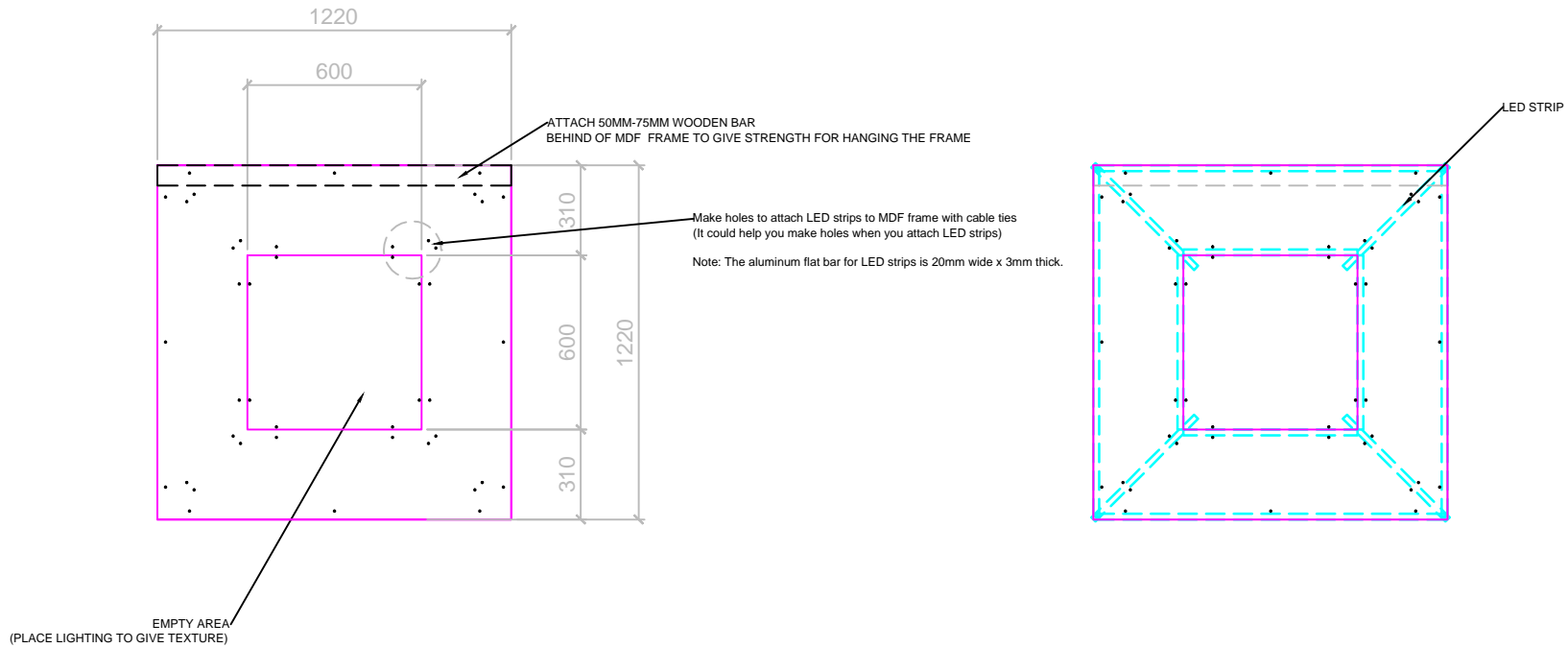
ADDRESS:	
TEL:	
WEBSITE:	
E-MAIL:	

NOTE/LEGEND:
BRISBANE ONLY



FRAME OPTION 2

SCALE 1:25 @ A4



NOTE: CUT 2440 x 1220 MDF SHEET IN HALF TO MAKE 2 FRAMES

MDF CUT OUT

THIS DRAWING IS THE PROPERTY OF HILLSONG CHURCH. COPYRIGHT IS RESERVED AND THE DRAWING IS ISSUED ON THE CONDITION THAT IT IS NOT USED, COPIED, REPRODUCED, RETAINED OR DISCLOSED EITHER WHOLLY OR IN PART, WITHOUT THE PREVIOUS CONSENT IN WRITING. DO NOT SCALE FROM THIS DRAWING. WRITTEN DIMENSIONS SHALL HAVE PRECEDENCE OVER SCALED DIMENSIONS. ALL INFORMATION CONTAINED IN THIS DRAWING TO BE CHECKED PRIOR TO COMMENCING WORK. IF IN DOUBT, ASK

PROJECT: HILLSONG VISION SUNDAY 2015				
TITLE: CAMPUS FRAME PLAN_OPTION2				
JOB NO:	DATE: 21-JAN-2015	VER/REVISION: V1	SCALE: SEE NOTE 1:25	PAPER SIZE: A4

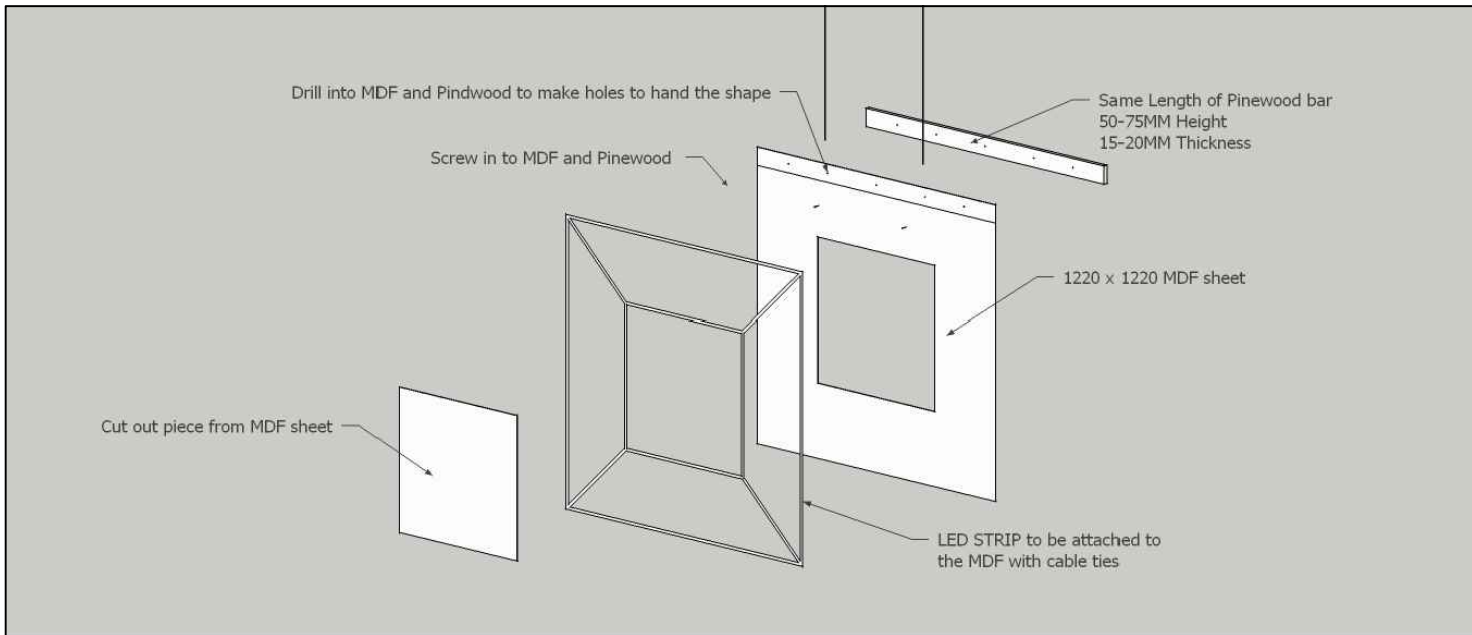
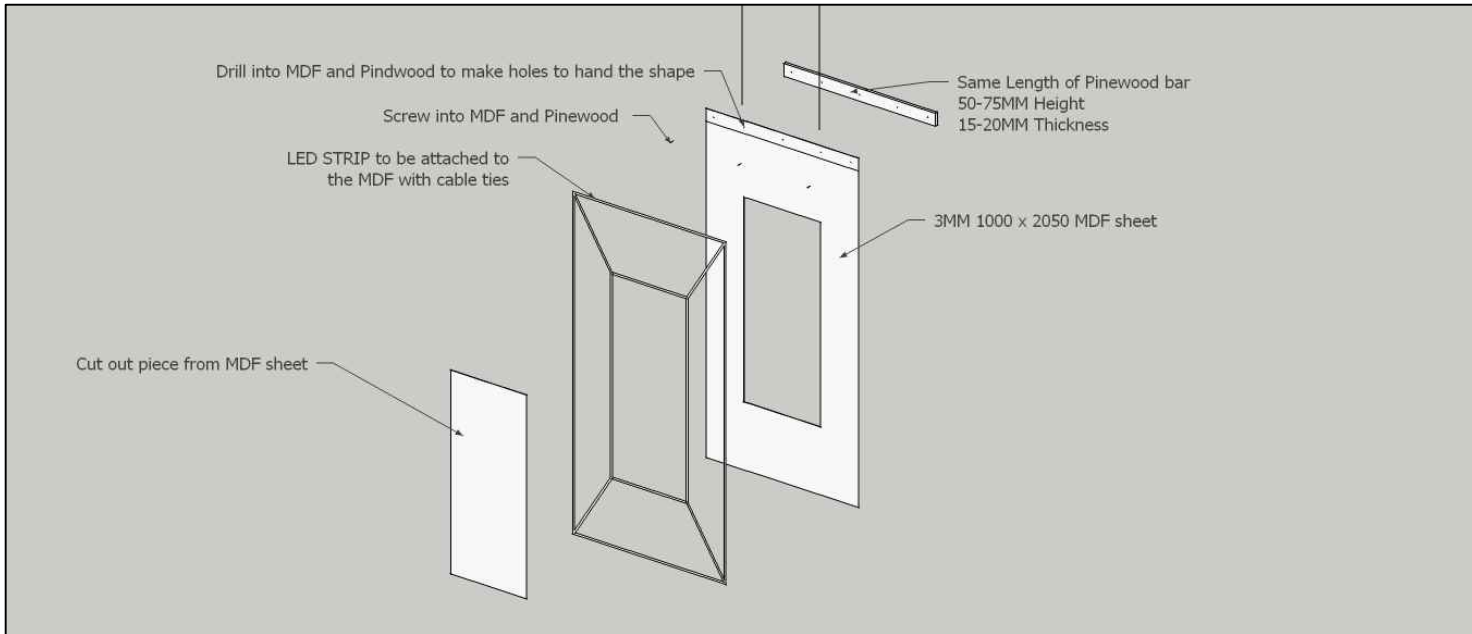
DESIGN: NT/CREATIVE TECHNOLOGY	
DRAWN BY: JL/CREATIVE TECHNOLOGY	
CD:	
TD:	

ADDRESS:	
TEL:	
WEBSITE:	
E-MAIL:	

NOTE/LEGEND:
BRISBANE ONLY

FRAME OPTION 2

SCALE 1:25 @ A4



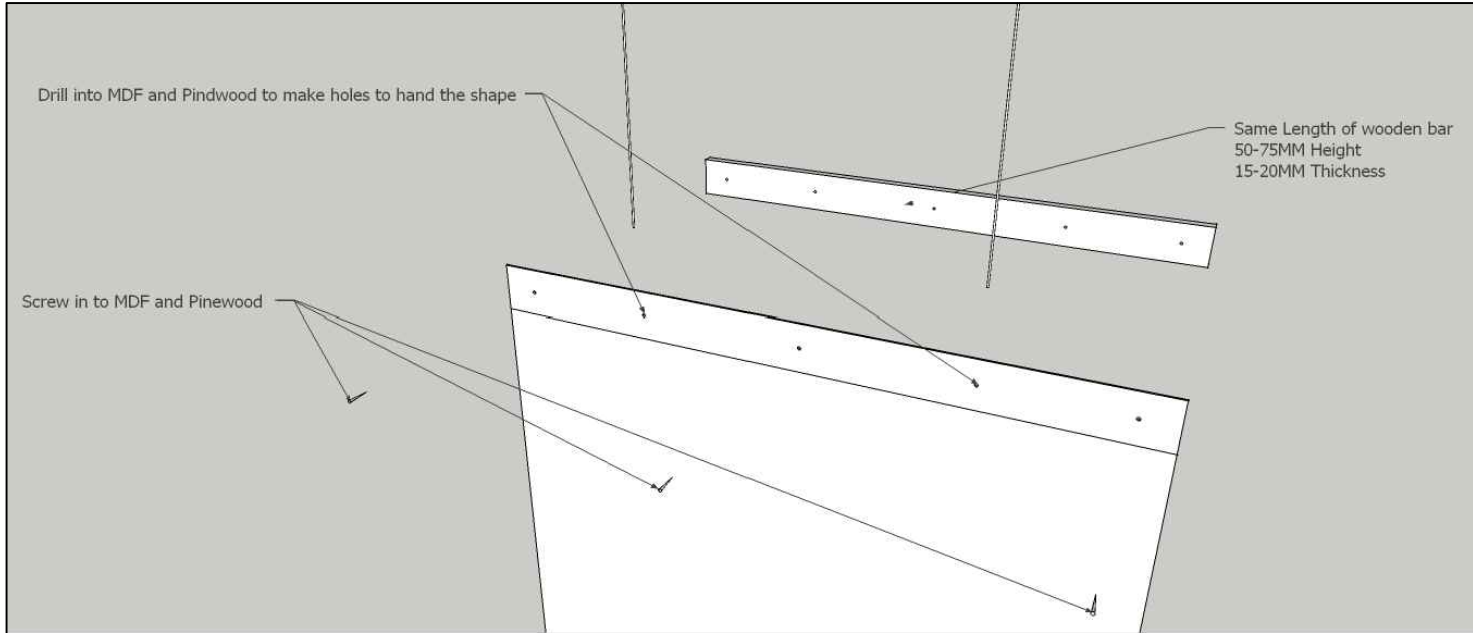
MDF CUT OUT

THIS DRAWINGS IS THE PROPERTY OF HILLSONG CHURCH. COPYRIGHT IS RESERVED AND THE DRAWING IS ISSUED ON THE CONDITION THAT IT IS NOT USED, COPIED, REPRODUCED, RETAINED OR DISCLOSED EITHER WHOLLY OR IN PART, WITHOUT THE PREVIOUS CONSENT IN WRITING. DO NOT SCALE FROM THIS DRAWING. WRITTEN DIMENSIONS SHALL HAVE PRECEDENCE OVER SCALED DIMENSIONS. ALL INFORMATION CONTAINED IN THIS DRAWING TO BE CHECKED PRIOR TO COMMENCING WORK. IF IN DOUBT, ASK

PROJECT: HILLSONG VISION SUNDAY 2015					DESIGN: NT/CREATIVE TECHNOLOGY		ADDRESS:		NOTE/LEGEND: BRISBANE ONLY
TITLE: CAMPUS FRAME PLAN_OPTION2					DRAWN BY: JI/CREATIVE TECHNOLOGY		TEL:		
JOB NO:					CD:		WEBSITE:		
DATE: 21-JAN-2015					TD:		E-MAIL:		
VER/REVISION: V1					SCALE: SEE NOTE 1:25		PAPER SIZE: A4		

FRAME OPTION 2

SCALE 1:25 @ A4



MDF CUT OUT

THIS DRAWING IS THE PROPERTY OF HILLSONG CHURCH. COPYRIGHT IS RESERVED AND THE DRAWING IS ISSUED ON THE CONDITION THAT IT IS NOT USED, COPIED, REPRODUCED, RETAINED OR DISCLOSED EITHER WHOLLY OR IN PART, WITHOUT THE PREVIOUS CONSENT IN WRITING. DO NOT SCALE FROM THIS DRAWING. WRITTEN DIMENSIONS SHALL HAVE PRECEDENCE OVER SCALED DIMENSIONS. ALL INFORMATION CONTAINED IN THIS DRAWING TO BE CHECKED PRIOR TO COMMENCING WORK. IF IN DOUBT, ASK

PROJECT: HILLSONG VISION SUNDAY 2015					DESIGN: NT/CREATIVE TECHNOLOGY		ADDRESS:	NOTE/LEGEND: BRISBANE ONLY
TITLE: CAMPUS FRAME PLAN_OPTION2					DRAWN BY: JL/CREATIVE TECHNOLOGY		TEL:	
JOB NO :					CD:		WEBSITE:	
DATE: 21-JAN-2015	VER/REVISION : V1	SCALE : SEE NOTE 1:25	PAPER SIZE: A4	TD:		E-MAIL:		