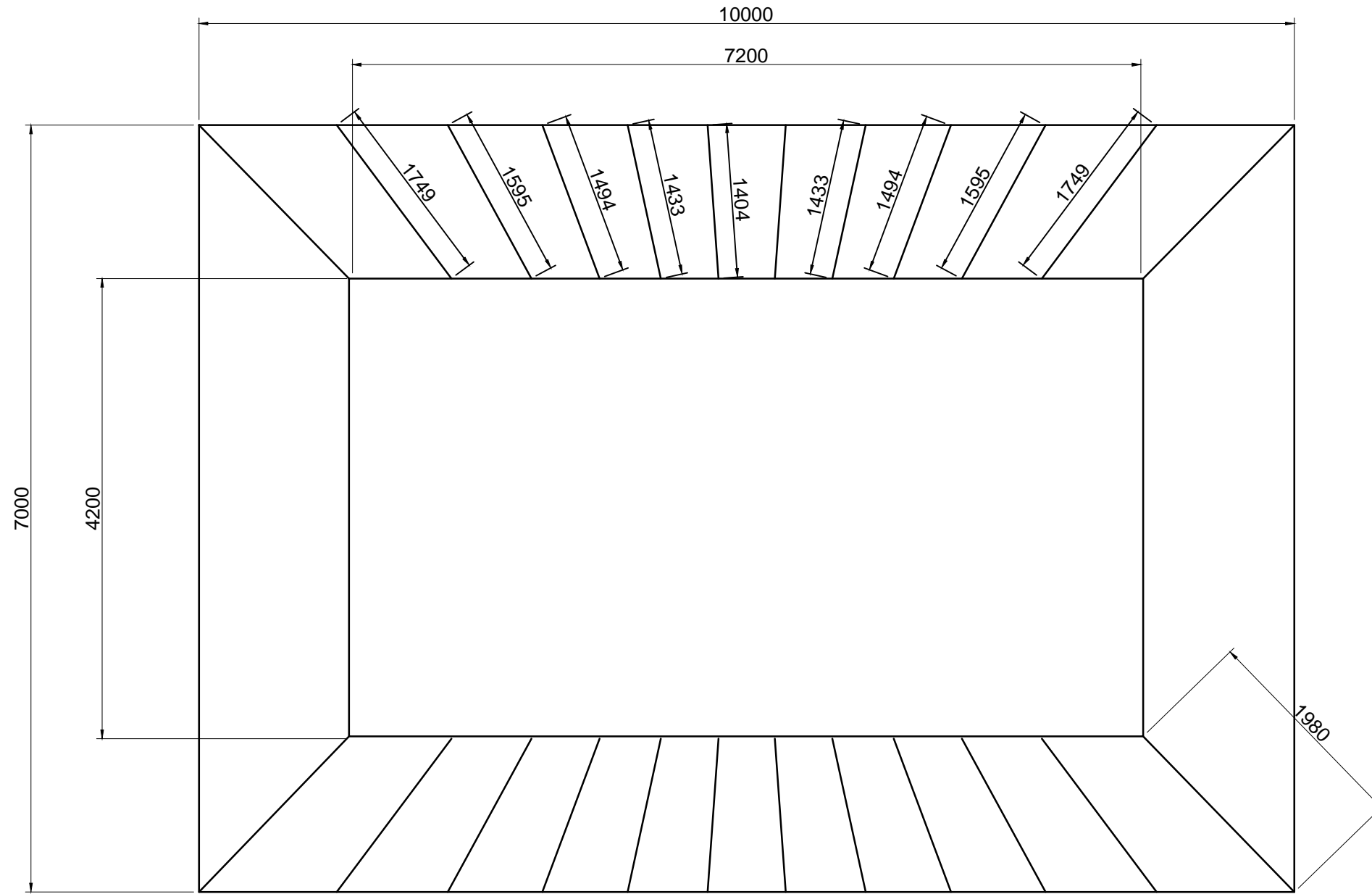
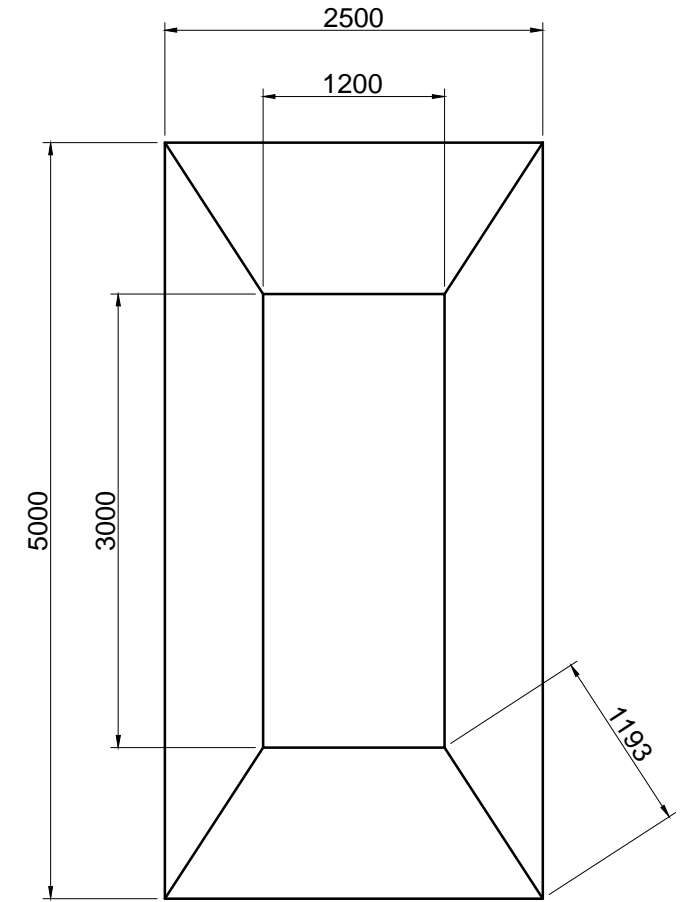


LED DETAILS

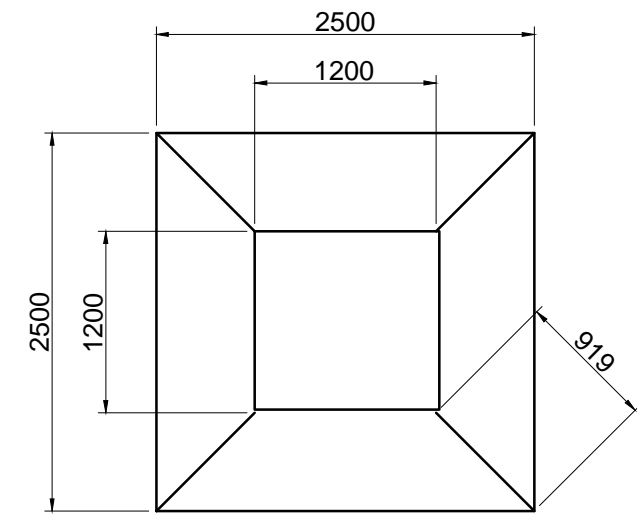
SCALE 1:50 @ A3



Shape A



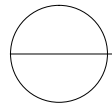
Shape B



Shape C

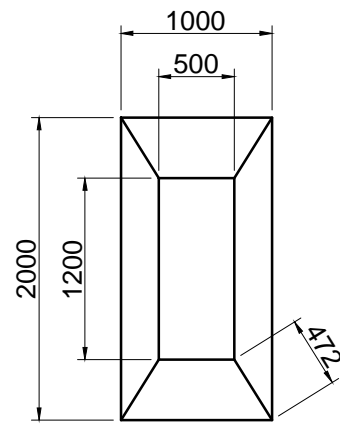
THIS DRAWING IS THE PROPERTY OF HILLSONG CHURCH. COPYRIGHT IS RESERVED AND THE DRAWING IS ISSUED ON THE CONDITION THAT IT IS NOT USED, COPIED, REPRODUCED, RETAINED OR DISCLOSED EITHER WHOLLY OR IN PART, WITHOUT THE PREVIOUS CONSENT IN WRITING. **DO NOT SCALE FROM THIS DRAWING.** WRITTEN DIMENSIONS SHALL HAVE PRECEDENCE OVER SCALED DIMENSIONS. ALL INFORMATION CONTAINED IN THIS DRAWING TO BE CHECKED PRIOR TO COMMENCING WORK. IF IN DOUBT, ASK

PROJECT: HILLSONG VISION SUNDAY 2015					DESIGN: CREATIVE TECHNOLOGY_NT		ADDRESS:		NOTE/LEGEND:
TITLE: HILLS CAMPUS_LED PIXEL STRIP					DRAWN BY: CREATIVE TECHNOLOGY_JL		TEL:		
JOB NO:					CD:		WEBSITE:		
DATE: 05.JAN.2015		VER/REVISION: V1		SCALE: SEE NOTE 1:50		PAPER SIZE: A3		E-MAIL:	

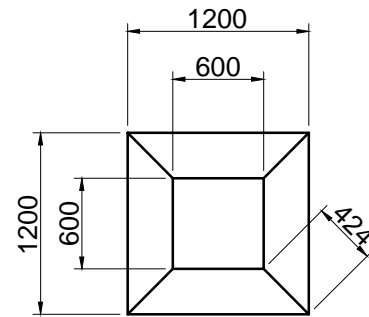


LED DETAILS

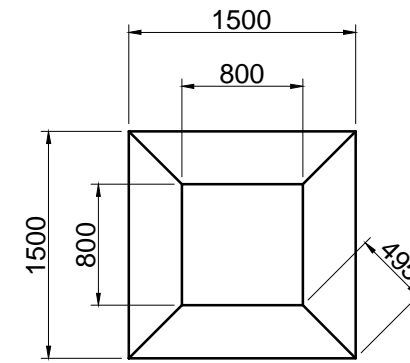
SCALE 1:50 @ A3



Shape E



Shape G



Shape F

THIS DRAWING IS THE PROPERTY OF HILLSONG CHURCH. COPYRIGHT IS RESERVED AND THE DRAWING IS ISSUED ON THE CONDITION THAT IT IS NOT USED, COPIED, REPRODUCED, RETAINED OR DISCLOSED EITHER WHOLLY OR IN PART, WITHOUT THE PREVIOUS CONSENT IN WRITING. **DO NOT SCALE FROM THIS DRAWING.** WRITTEN DIMENSIONS SHALL HAVE PRECEDENCE OVER SCALED DIMENSIONS. ALL INFORMATION CONTAINED IN THIS DRAWING TO BE CHECKED PRIOR TO COMMENCING WORK. **IF IN DOUBT, ASK**

PROJECT: HILLSONG VISION SUNDAY 2015					DESIGN: CREATIVE TECHNOLOGY_NT		ADDRESS:		NOTE/LEGEND:
TITLE: HILLS CAMPUS_LED PIXEL STRIP					DRAWN BY: CREATIVE TECHNOLOGY_JL		TEL:		
JOB NO:					CD:		WEBSITE:		
DATE: 05.JAN.2015		VER/REVISION: V1		SCALE: SEE NOTE 1:50		PAPER SIZE: A3		E-MAIL:	